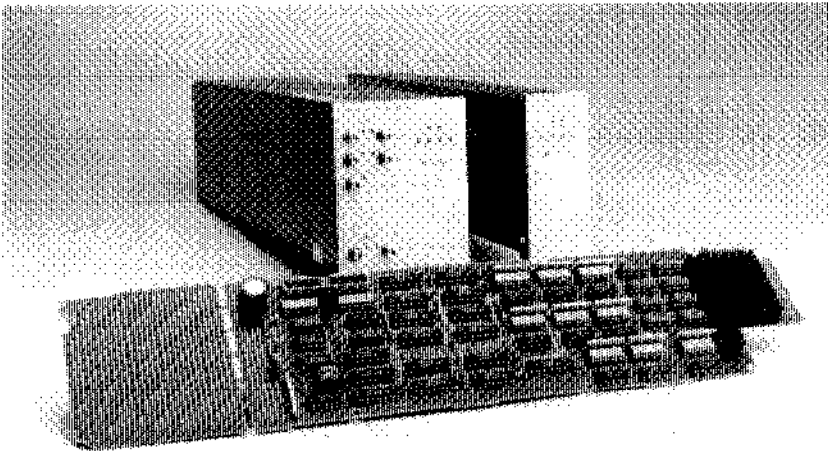


---

## HP 70612, HP 70613 MMS Interface Modules



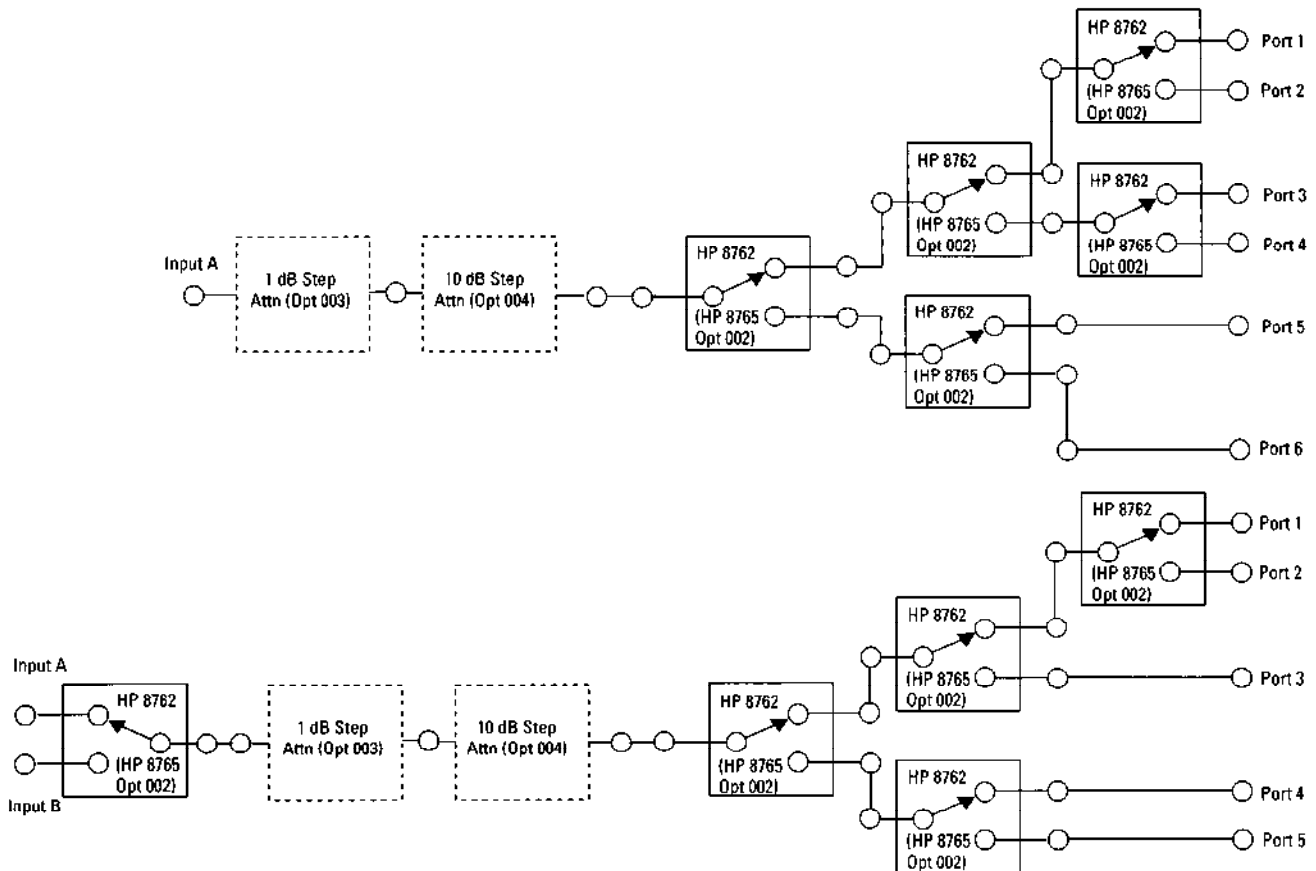
The HP 70612 and HP 70613, the latest additions to HP's growing family of MMS modules, now afford the MMS system designer an off-the-shelf solution to the problem of how to interconnect sources, test equipment and DUTs. The HP 70612 is a 1x6 common highway switch matrix, available in both DC to 6.5 GHz and DC to 26.5 GHz models. The HP 70613 is a 2x5 common highway switch matrix available in models covering the same frequency bands. Schematics of the HP 70612 and HP 70613 are shown in figure 1 on back page.

In addition to providing signal routing in the MMS format, the HP 70612 and HP 70613 are available with integral step attenuators which can modulate output signals in one or ten dB steps from 0 to 110 dB. Both matrixes are available in designs using terminated or unterminated SP2T switches. Input connectors located at the rear of the module are another option offered.

The HP 70612 and HP 70613 are built around the new HP 70611A Attenuator/Switch Driver and, as a result, feature a manual interface which can be customized by the end user when mated with any MMS display. The manual interface

allows the end user to configure any group of switches and switch states within the HP 70612 and HP 70613 and identify this configuration with an alphanumeric label of his own choosing. The manual interface menu generated in this manner permits the MMS system designer to choose his predefined switch states with the press of a single button. The current switch status of the HP 70612 and HP 70613 is also readily indicated by prominent front panel LEDs.

Besides controlling the microwave hardware within the HP 70612 or HP 70613, the integral attenuator/switch driver is capable of driving up to seven additional HP 84940A Switch Driver Cards. Since each of these cards can be used to drive 31 electromechanical switches or attenuator switch sections, a single HP 70612 or HP 70613 can control up to 217 additional switches or attenuator sections. All the features of the HP 70611A are available in the HP 70612 and HP 70613 including switch status read back capability and variable switching speed control.



**Figure 1.**  
**Schematics of**  
**HP 70612, HP 70613.**

For more information, call your local HP sales office listed in the telephone directory white pages. Ask for the Test and Measurement Department, or write to Hewlett-Packard:

**United States:**  
Hewlett-Packard Company  
4 Choke Cherry Road  
Rockville, MD 20850

Hewlett-Packard Company  
5201 Tollview Drive  
Rolling Meadows, IL 60008

Hewlett-Packard Company  
5161 Lankershim Blvd.  
No. Hollywood, CA 91601

Hewlett-Packard Company  
2015 South Park Place  
Atlanta, GA 30339

**Canada:**  
Hewlett-Packard Ltd.  
6877 Goreway Drive  
Mississauga, Ontario L4V1M8

**Australia/New Zealand:**  
Hewlett-Packard Australia Ltd.  
31-41 Joseph Street  
Blackburn, Victoria 3130  
Melbourne, Australia

**Europe/Africa/Middle East:**  
Hewlett-Packard S.A.  
Central Mailing Department  
P.O. Box 529  
1180 AM Amstelveen  
The Netherlands

**Far East:**  
Hewlett-Packard Asia Ltd.  
22-30/F, West Tower  
Bond Centre  
89 Queensway  
Central, Hong Kong

**Japan:**  
Yokogawa-Hewlett-Packard Ltd.  
29-21, Takaido-Higashi 3-chome  
Suginami-ku, Tokyo 1

**Data Subject to Change**  
**Hewlett-Packard Company**  
**Copyright © 1990**

**Printed in U.S.A. November 1990**  
**5091-0535E**